

General

Provide MYSON SELECT steel panel radiators in models and sizes including accessories as scheduled. SELECT RADIATORS are made of cold-rolled sheet steel, and in accordance with EN 442-1, with a stylish and robust fluting, with ribs at 1⁹/₁₆ inch intervals.

Each SELECT RADIATOR is equipped with wall mounting lugs that are welded onto the back. The radiators are equipped with a removable top grille and two removable closed side panels. Each radiator is supplied with mounting brackets, a blind plug and a manual vent plug.

The SELECT Series radiators are an advanced design giving high efficiency characteristics. The high outputs per unit surface area for the radiator models have been achieved by ensuring excellent contact between the convector plates and both the water channels and dividing metal of the radiator panels - see figure 1. The convector surface is spot-welded to the metal channels, but also firmly locates into grooves on the water channels, thus ensuring high heat transfer rates.

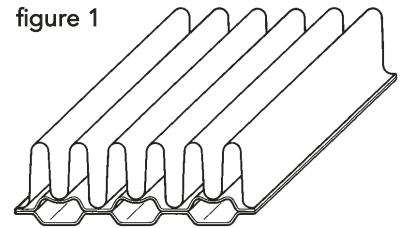
Standard Connections:

4 x internal thread G 1/2" BSP, welded-in for supply and return.

Maximum positive operating pressure: 145 psi

Maximum operating temperature: 230° F

figure 1



Select SX Type 21 Depth: 3¹/₈ inches

double panel & one row of convector plates plus side panels & top grille

Select SD Type 22 Depth: 4¹/₈ inches

double panel & two rows of convector plates plus side panels & top grille

Standard Heights:

12, 16, 24, & 30 inches (Nominal)

Standard Lengths:

16 to 71 inches (Nominal)

- Additional sizes and models are available as special order

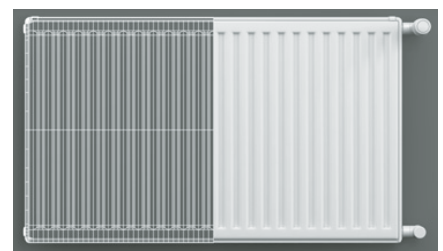
Finishes:

1. **Undercoat:** electrophoretic, using water-soluble paints, conforming to DIN 55900 part 1, baked at 374° F;
2. **Finish coat:** electrostatic powder coating, conforming to DIN 55900 part 2. (On request, and at a supplementary charge, a range of RAL colors can be offered. RAL 9016 white is standard.) This coat is baked at a temperature of 410° F.



Warranty:

MYSON radiators are covered by a 10 year warranty.



A variety of adapters, valves, and TRV actuators is available and recommended from MYSON. For specific applications see our valve literature. Pipe covers and escutcheons are available.

Quality certificates



PROJECT NAME:

ARCHITECT:

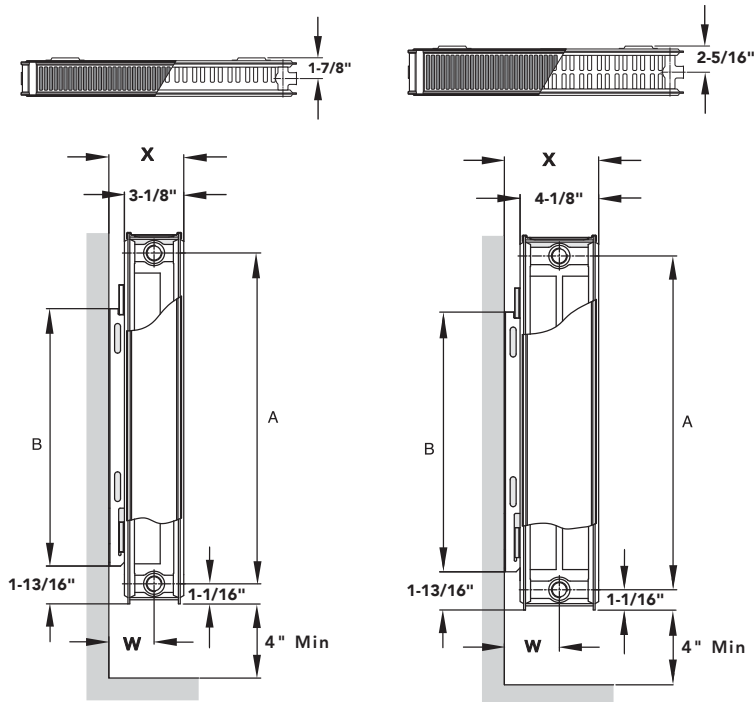
ENGINEER:

SUBMITTED DATE:

APPROVED DATE:

APPROVED

SX Type 21 and SD Type 22 models



SX Type 21

SD Type 22

Mounting Bracket	Type 21		Type 22	
	Dimension (in) X	Dimension (in) W	Dimension (in) X	Dimension (in) W
KOM (BH) Short Side*	4 ¹ / ₁₆	2 ¹ / ₂	5 ¹ / ₁₆	2 ¹⁵ / ₁₆
KOM (BH) Long Side*	4 ⁷ / ₁₆	2 ¹⁵ / ₁₆	5 ⁷ / ₁₆	3 ³ / ₈
SIGARTH (EZ)	4 ¹ / ₂	2 ¹⁵ / ₁₆	5 ¹ / ₂	3 ³ / ₈

*From wall to radiator

Nominal Height (in)	A (in)	B (in)
11 ¹³ / ₁₆	9 ¹ / ₁₆	6
15 ³ / ₄	13 ⁵ / ₈	10
23 ⁵ / ₈	21 ¹ / ₂	17 ¹³ / ₁₆
29 ¹ / ₂	27 ³ / ₈	23 ³ / ₄

All Dimensions are nominal

	Order Code	Nominal Length (mm - inches)	Output* Btuh @ 180°F AWT	Output* Btuh @ 160°F AWT	Output* Btuh @ 140°F AWT	Weight (lbs)	Water Content (gals)	Order Code	Output* Btuh @ 180°F AWT	Output* Btuh @ 160°F AWT	Output* Btuh @ 140°F AWT	Weight (lbs)	Water Content (gals)	
Height 300mm - 12 ¹³ / ₁₆ in	SX30 40VN	400 - 15 ³ / ₄	1419	1093	795	16	0.41	-	-	-	-	-	-	
	SX30 60VN	600 - 23 ⁵ / ₈	1857	1430	1040	22	0.62	SD30 60VN	2430	1871	1361	26	0.62	
	SX30 80VN	800 - 31 ¹ / ₂	2487	1915	1393	29	0.82	SD30 80VN	3188	2455	1786	34	0.82	
	SX30 100VN	1000 - 39 ¹ / ₄	3095	2383	1733	36	1.03	SD30 100VN	4050	3119	2268	42	1.03	
	SX30 120VN	1200 - 47 ¹ / ₄	3734	2875	2091	42	1.24	SD30 120VN	4922	3790	2757	50	1.24	
	SX30 140VN	1400 - 55 ¹ / ₄	4333	3337	2427	49	1.44	SD30 140VN	5670	4366	3176	58	1.44	
	SX30 160VN	1600 - 63	4976	3832	2787	55	1.65	SD30 160VN	6433	4954	3603	66	1.65	
	SX30 180VN	1800 - 70 ³ / ₈	5570	4289	3120	62	1.85	SD30 180VN	7290	5614	4083	74	1.85	
	Height 400mm - 15 ¹ / ₄ in	SX40 50VN	520 - 20 ¹ / ₂	1982	1526	1110	26	0.69	SD40 50VN	2603	2005	1458	31	0.69
		SX40 60VN	600 - 23 ⁵ / ₈	2379	1832	1333	29	0.79	SD40 60VN	3124	2406	1750	35	0.79
SX40 70VN		720 - 28 ³ / ₈	2775	2137	1554	34	0.95	SD40 70VN	3645	2807	2041	41	0.95	
SX40 80VN		800 - 31 ¹ / ₂	3172	2443	1776	38	1.06	SD40 80VN	4165	3207	2333	46	1.06	
SX40 90VN		920 - 36 ¹ / ₄	3568	2748	1998	43	1.22	SD40 90VN	4686	3609	2624	52	1.22	
SX40 100VN		1000 - 39 ¹ / ₄	3965	3053	2221	47	1.32	SD40 100VN	5207	4010	2916	57	1.32	
SX40 120VN		1200 - 47 ¹ / ₄	4758	3664	2665	56	1.58	SD40 120VN	6248	4811	3499	67	1.58	
-		-	-	-	-	-	-	SD40 140VN	7578	5835	4244	78	1.85	
SX40 160VN		1600 - 63	6344	4885	3553	73	2.11	SD40 160VN	8331	6415	4666	89	2.11	
Height 600mm - 23 ⁵ / ₈ in		SX60 40VN	400 - 15 ³ / ₄	2233	1720	1251	27	0.75	SD60 40VN	2900	2233	1624	31	0.75
	SX60 50VN	520 - 20 ¹ / ₂	2791	2150	1563	34	0.98	SD60 50VN	3625	2792	2030	39	0.98	
	SX60 60VN	600 - 23 ⁵ / ₈	3349	2579	1876	39	1.13	SD60 60VN	4350	3350	2436	45	1.13	
	SX60 70VN	720 - 28 ³ / ₈	3907	3009	2188	46	1.35	SD60 70VN	5075	3908	2842	53	1.35	
	SX60 80VN	800 - 31 ¹ / ₂	4466	3439	2501	51	1.50	SD60 80VN	5800	4466	3248	59	1.50	
	SX60 90VN	920 - 36 ¹ / ₄	5024	3869	2814	58	1.73	SD60 90VN	6525	5025	3654	67	1.73	
	SX60 100VN	1000 - 39 ¹ / ₄	5582	4299	3126	63	1.88	SD60 100VN	7251	5584	4061	73	1.88	
	SX60 110VN	1120 - 44 ¹ / ₈	6140	4729	3439	70	2.11	SD60 110VN	7976	6142	4467	81	2.11	
	SX60 120VN	1200 - 47 ¹ / ₄	6698	5158	3751	75	2.25	SD60 120VN	8701	6700	4873	87	2.25	
	SX60 130VN	1320 - 52	7257	5588	4064	82	2.48	SD60 130VN	9426	7258	5279	95	2.48	
Height 700mm - 27 ¹ / ₂ in	SX70 40VN	400 - 15 ³ / ₄	2534	1952	1419	33	0.87	SD70 40VN	3258	2509	1825	42	0.87	
	SX70 50VN	520 - 20 ¹ / ₂	3168	2440	1774	42	1.02	SD70 50VN	4072	3136	2281	53	1.02	
	SX70 60VN	600 - 23 ⁵ / ₈	3802	2928	2129	50	1.30	SD70 60VN	4887	3763	2737	63	1.30	
	SX70 70VN	720 - 28 ³ / ₈	4435	3415	2484	58	1.56	SD70 70VN	5701	4390	3193	71	1.56	
	SX70 80VN	800 - 31 ¹ / ₂	5069	3903	2839	65	1.73	SD70 80VN	6516	5018	3649	79	1.73	
	SX70 90VN	920 - 36 ¹ / ₄	5702	4391	3193	73	1.99	SD70 90VN	7330	5644	4105	89	1.99	
	SX70 100VN	1000 - 39 ¹ / ₄	6336	4879	3548	81	2.17	SD70 100VN	8144	6271	4561	102	2.17	
	SX70 120VN	1200 - 47 ¹ / ₄	7603	5855	4258	98	2.60	SD70 120VN	9773	7526	5473	119	2.60	
	SX70 140VN	1400 - 55 ¹ / ₄	8871	6831	4968	114	3.03	SD70 140VN	11402	8780	6385	135	3.03	
	SX70 160VN	1600 - 63	10138	7807	5678	131	3.47	SD70 160VN	13031	10034	7298	154	3.47	

* Outputs are based on EAT of 68°F. For outputs based on other AWT and/or other EAT please consult our radiator correction chart.

Specifications per Linear Foot						
Order Code	Nominal Height (inches)	Btuh/ft at 180°F AWT**	Btuh/ft at 160°F AWT**	Btuh/ft at 140°F AWT**	Weight (lbs/ft)	Water Content (gals/ft)
SX30 XXXVN	11 ¹³ / ₁₆	943	727	529	11.18	0.314
SX40 XXXVN	15 ³ / ₄	1208	931	677	14.73	0.402
SX60 XXXVN	23 ⁵ / ₈	1701	1310	953	19.81	0.572
SX70 XXXVN	29 ¹ / ₂	1931	1487	1082	25.40	0.660

** Outputs are based on a delta T of 20°F and EAT of 68°F.